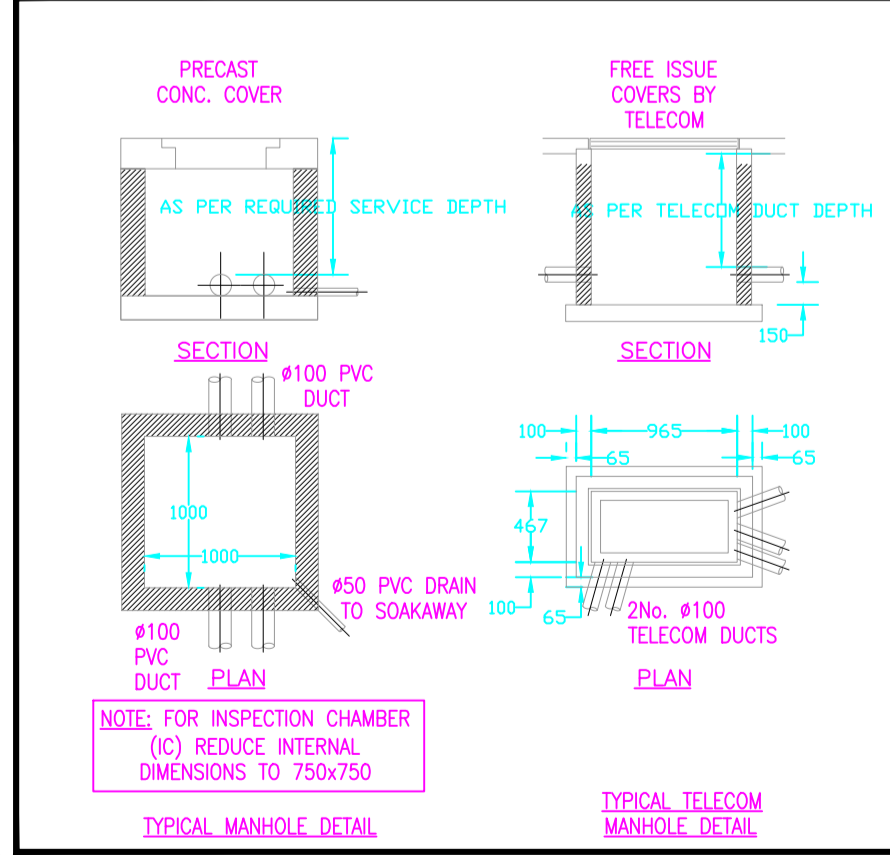
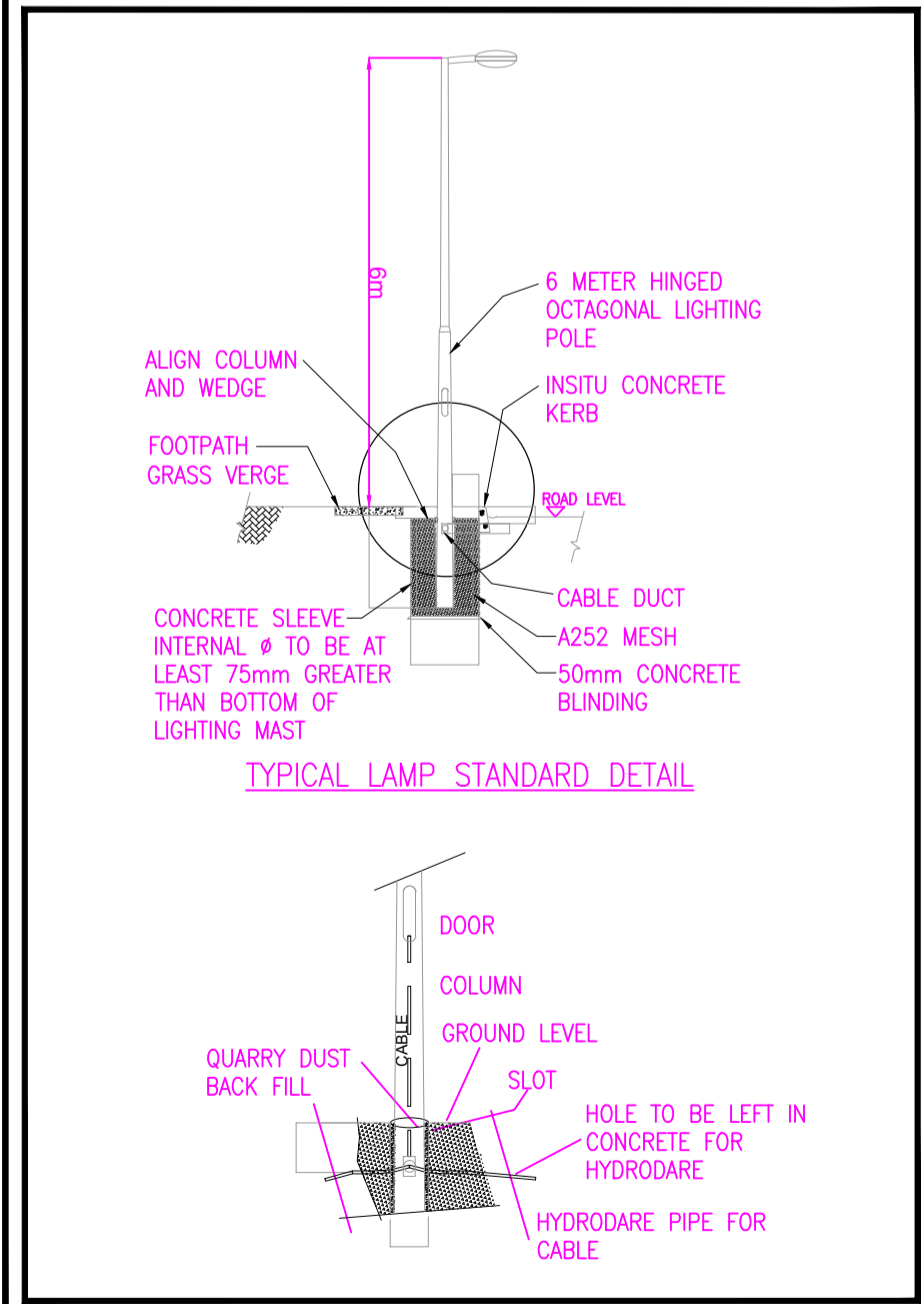
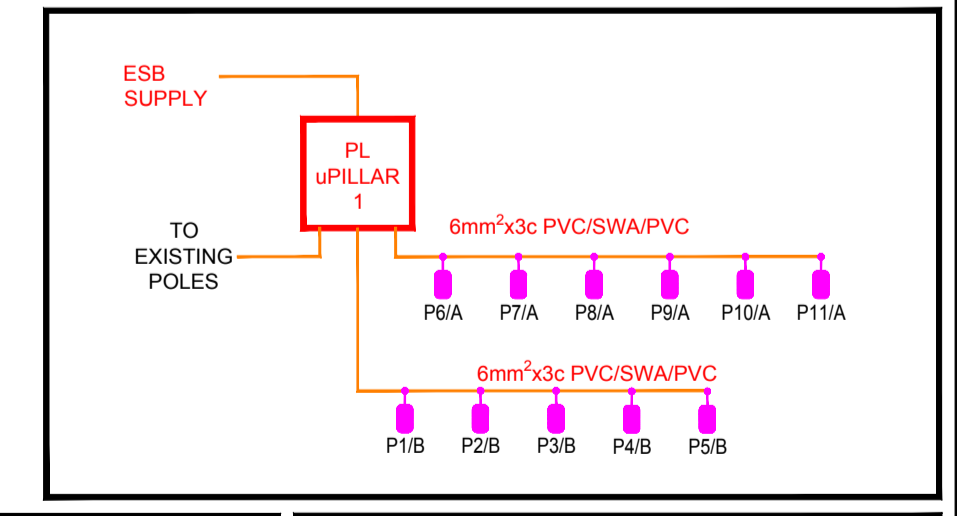
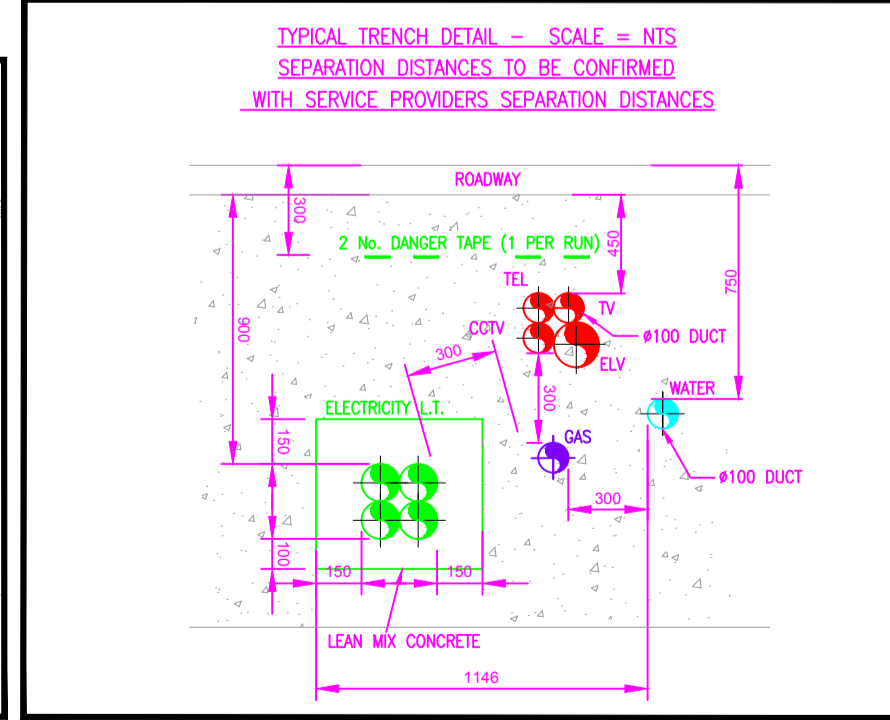
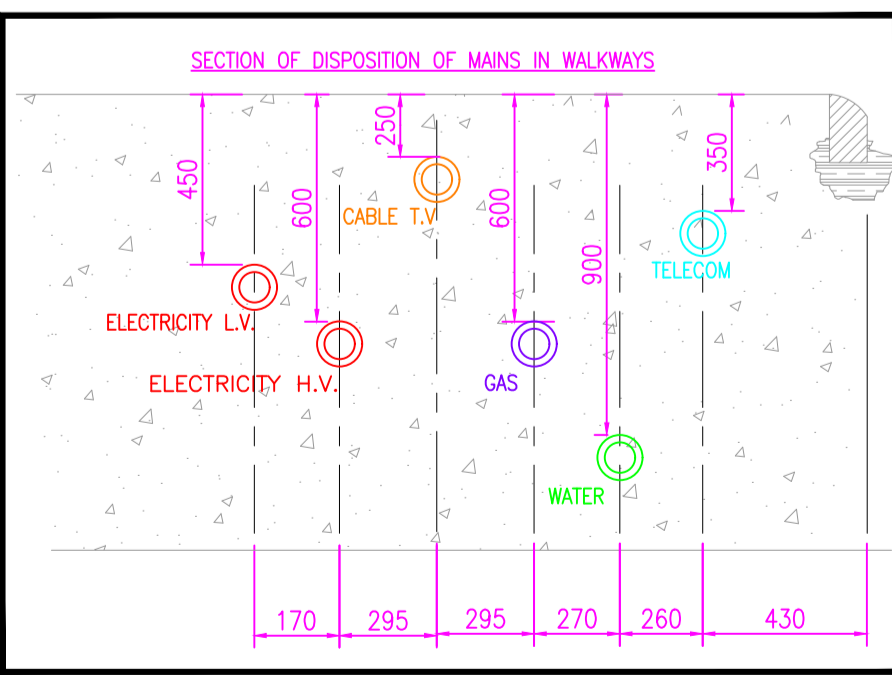


LEGEND

- External Lighting Duct ϕ 100mm (RED)
- Pn/A LED LANTERN, 27W, 4400lm, 4000K, IP66, IK09, DW50 DISTRIBUTION ON 6m POLE
- Pn/B LED LANTERN, 22W, 3400lm, 4000K, IP66, IK09, DW50 DISTRIBUTION ON 6m POLE
- E EXISTING LUMINAIRE
- MANHOLE FOR DRAWING WIRES, ACCESS AND MAINTENANCE.
- ESB MINIPILLAR "n"
- PL MICROPILLAR "n"



- NOTES:**
- Ducting shall comply with latest version of BS EN 50086 and shall be single wall, coloured red and manufactured from high-density polyethylene. The nominal external diameter of the duct shall be 107mm with a minimum wall thickness of 5mm.
 - Each length of duct shall be stamped with the words "Public Lighting" or "Street Lighting", in 18mm black lettering repeated at 1-metre intervals.
 - Ducts shall be laid with the legend facing upwards, in a straight line, close to the line of the column locations and shall contain a continuous draw wire of 8 kN strength.
 - Sand should be used to backfill to 150mm above the top of the ducting.
 - A clearance of at least 100mm shall be allowed to the trench wall.
 - An identifying tape must be placed on top of the sand.
 - A minimum depth of 450mm cover is required in urban footways, grass margins, pedestrian ways, laneways and vehicular accesses; and a minimum depth of 750mm is required at road crossings or under roadways.
 - All sleeves to be in accordance with Section 11 and Appendix E of the "Construction Standards for Road and Street Works in Dublin City Council"



Referenced drawings

Dwg No.	Dwg Title

Issue register

Rev.	Date	Description	Dwn.	Chkd.	Appvd.
P1	19/10/21	PLANNING	HP	BC	AW
P2	18/02/22	PART 8	HP	BC	BC

- NOTES:**
- THIS DRAWING TO BE READ IN CONJUNCTION WITH ALL RELEVANT ARCHITECTS, C&S ENGINEERS DRAWINGS & SPECIFICATIONS.
 - ALL WORKS TO BE CARRIED OUT IN ACCORDANCE WITH THE RELEVANT BUILDING REGULATIONS.
 - DO NOT SCALE - WORK TO FIGURE DIMENSIONS ONLY.



PUBLIC LIGHTING SITE SERVICES LAYOUT

Date: 15/10/21
Scale: 1:250@A1 (1:500@A3)
Drawn By: H.P.
Checked By: B.C.
Approved By: A.W.

OFFALY COUNTY COUNCIL

Job Description: 20 No. HOUSING UNITS AT DARGAN DRIVE, TULLAMORE, Co. OFFALY

Project No: 20ME036
Drawing Ref: ME-1000(C)
Rev: P2

Hayes Higgins Partnership
Gas House Lane, Kilkenny.

054 7764710 056 7723223
info@hayeshiggins.com

© HAYES HIGGINS PARTNERSHIP

COPY FILE: 20ME036-ME-1000.dwg