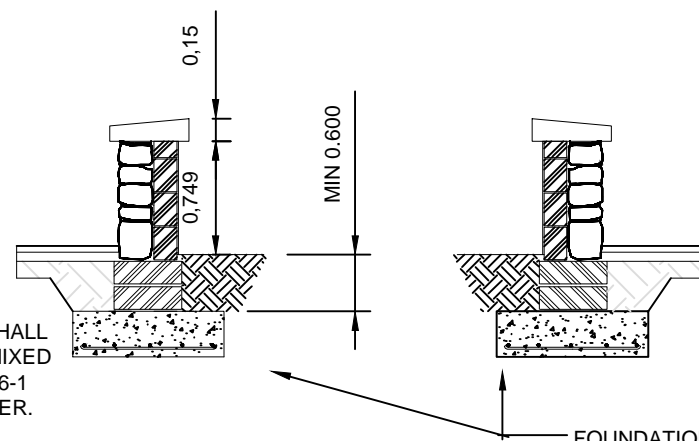


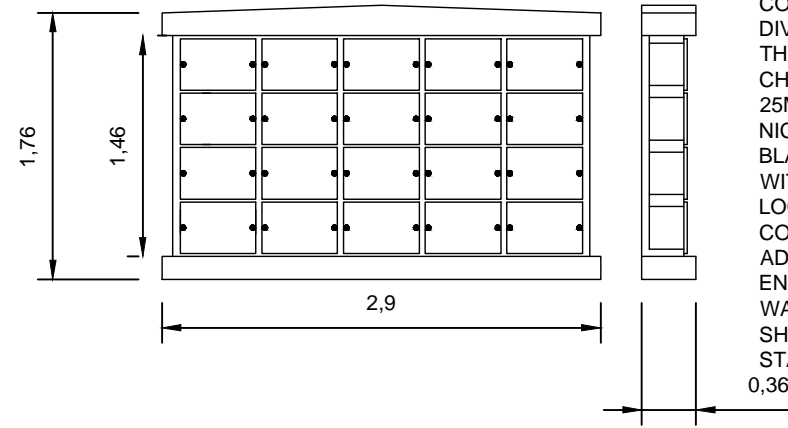
**WALL SPEC**  
 150mm CONCRETE SOLID BLOCKS, 225mm WIDE STONE FACING, BROUGHT TO COURSES, & PLASTER FINISH INSIDE. CUT GRANITE CAPPING OVERHANGING 75mm, STONE FACING FINISH

CONCRETE FOUNDATIONS SHALL CONSIST OF C30/37 READY MIXED IN ACCORDANCE WITH EN 206-1 FROM AN APPROVED SUPPLIER.

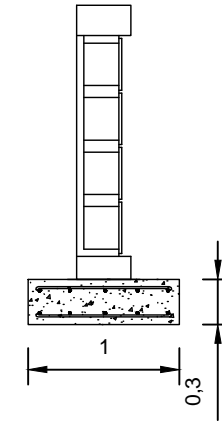


**FOUNDATION SPEC**  
 TRENCHES MIN 600mm BELOW EXISTING GROUND LEVEL FOUNDATIONS TO BE 1000mm WIDE AND 300mm DEEP AND 300mm DEEP REINFORCED WITH A393 MESH (Bottom)

STAINLESS STEEL WALL TIES AT 300mm HORIZONTALLY AND 600mm VERTICALLY. FULL ADHESION OF BLOCKWORK AND STONEMORTAR AT ALL INTERFACES SOLID CONCRETE BLOCKWORK IN DESIGNATION (11) MORTAR IN RISING WALLS



MID GREY POLISHED GRANITE COLUMBARIUM WALL UNIT. DIVIDING WALLS TO BE 100MM THICK. ALL UNITS TO BE CHEMICALLY ANCHORED WITH 25MM BRASS DOWEL BARS. NICHE TO BE POLISHED BLACK POLISHED GRANITE WITH A DOUBLE ANTI TAMPER LOCKING SYSTEM. NICHE COVERS TO HAVE AN ADEQUATE WATER SEAL TO ENSURE NICHE ARE 100% WATER PROOFED. EACH NICHE SHALL ACCOMMODATE 2 STANDARD SIZED URNS.

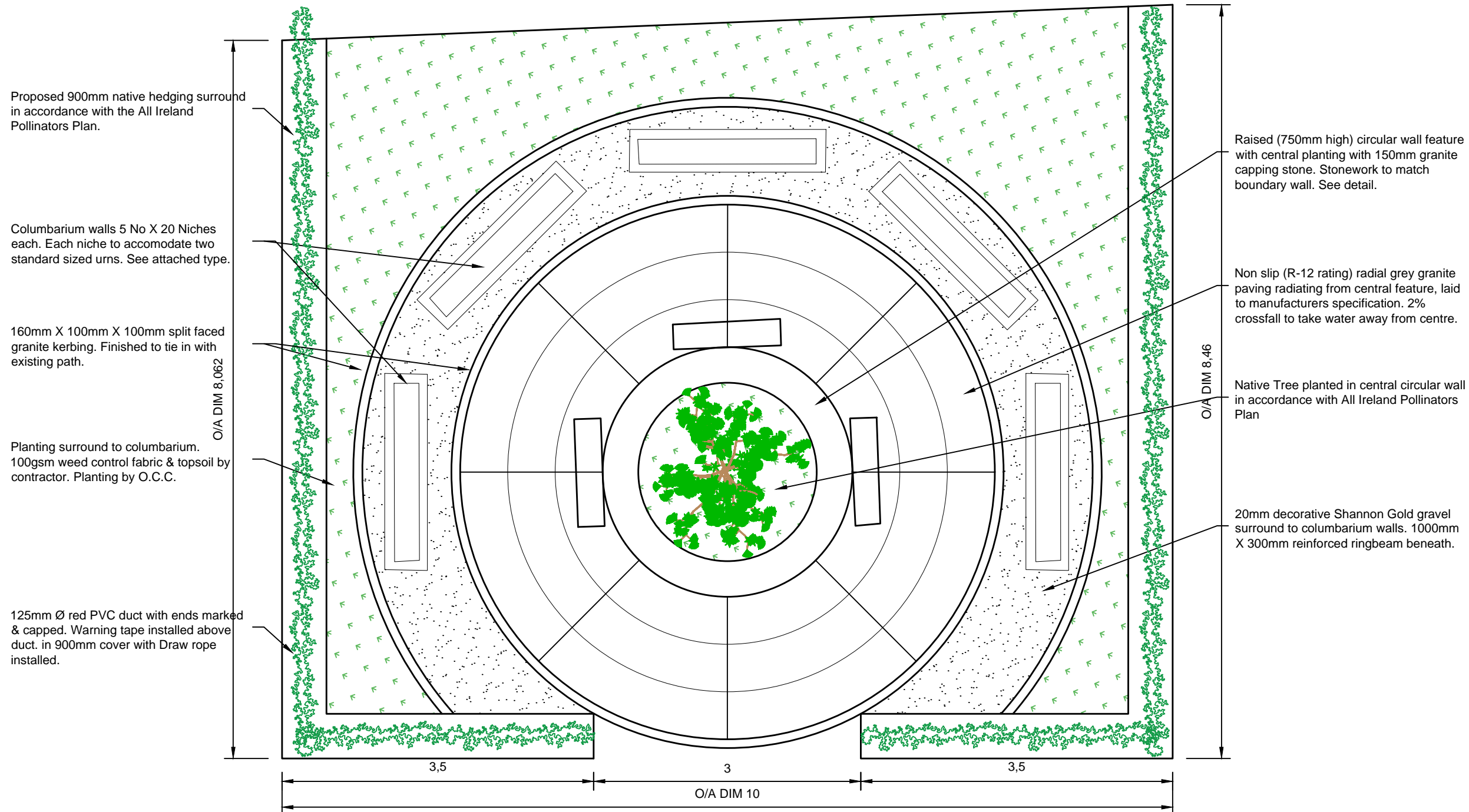


**RINGBEAM SPEC**  
 RINGBEAM TO BE 1000mm WIDE AND 300mm DEEP REINFORCED WITH A393 MESH (Top & Bottom). 50mm MIN COVER ALL SIDES. CONCRETE SHALL CONSIST OF C35/20 READY MIXED IN ACCORDANCE WITH EN 206-1 FROM AN APPROVED SUPPLIER.

**RINGBEAM DETAIL**  
 SCALE 1:50

**CENTRE WALL DETAIL**  
 SCALE 1:50

**COLUMBARIUM WALL DETAIL**  
 SCALE 1:50



Proposed 900mm native hedging surround in accordance with the All Ireland Pollinators Plan.

Columbarium walls 5 No X 20 Niches each. Each niche to accommodate two standard sized urns. See attached type.

160mm X 100mm X 100mm split faced granite kerbing. Finished to tie in with existing path.

Planting surround to columbarium. 100gsm weed control fabric & topsoil by contractor. Planting by O.C.C.

125mm Ø red PVC duct with ends marked & capped. Warning tape installed above duct. in 900mm cover with Draw rope installed.

Raised (750mm high) circular wall feature with central planting with 150mm granite capping stone. Stonework to match boundary wall. See detail.

Non slip (R-12 rating) radial grey granite paving radiating from central feature, laid to manufacturers specification. 2% crossfall to take water away from centre.

Native Tree planted in central circular wall in accordance with All Ireland Pollinators Plan

20mm decorative Shannon Gold gravel surround to columbarium walls. 1000mm X 300mm reinforced ringbeam beneath.

**COLUMBARIUM GARDEN**  
 SCALE 1:50

PART 8					23.03.23	DE	PP	TS	-
Description		Date	Drawn	Chkd.	Appd.	Rev.			
Project: ST. MARYS CEMETERY EXTENSION, EDENDERRY									
Title: DETAIL SHEET 1									
Scale: 1:500 at A3	Size: A3	Project No: 0502	Drawing No: C004		Date: 23.03.23		Drawn by: DE	Checked by: PP	